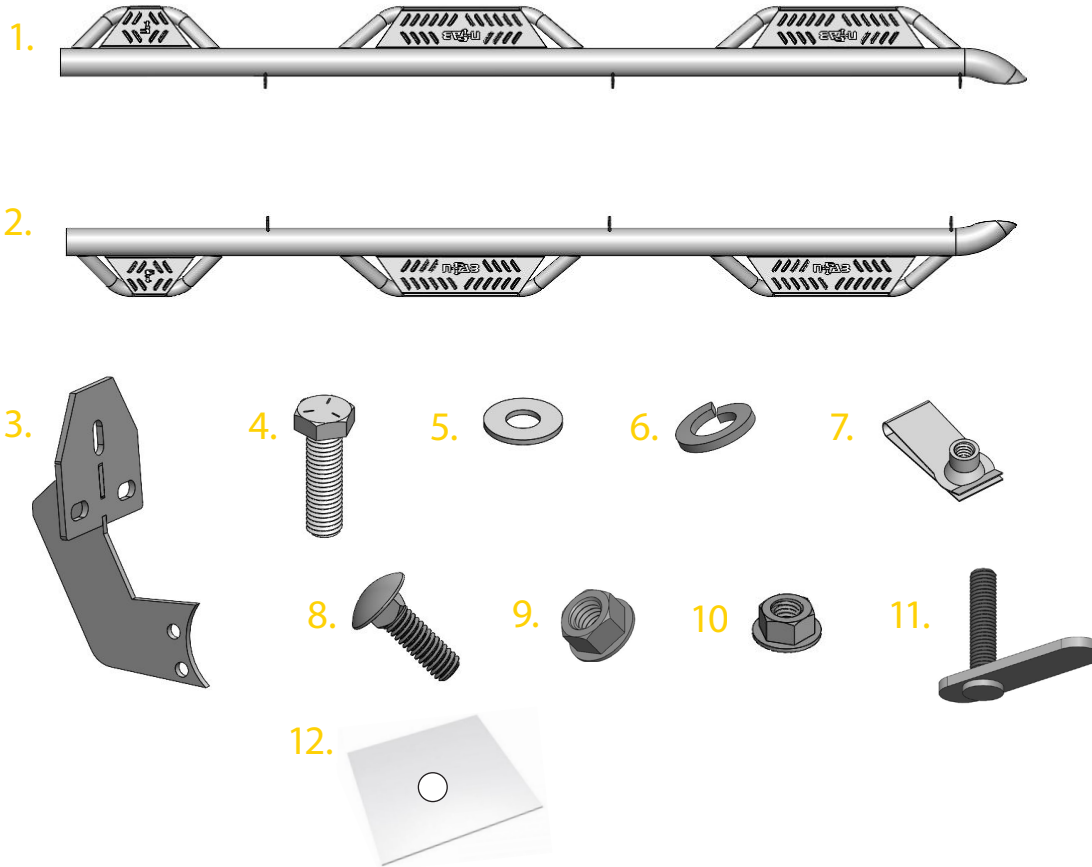


Components and Hardware:



Components and Hardware:

1. Driver side step.....	(1)
2. Passenger side step.....	(1)
3. Mounting bracket.....	(6)
4. M10x30mm hex bolt.....	(12)
5. M10 flat washer.....	(12)
6. M10 lock washer.....	(12)
7. M10 u-nut.....	(12)
8. 3/8"x1" carriage bolt.....	(12)
9. 3/8" flanged hex nut.....	(12)
10. M8 flanged hex nut.....	(6)
11. M8 bolt plate.....	(6)
12. Plastic retainer.....	(6)

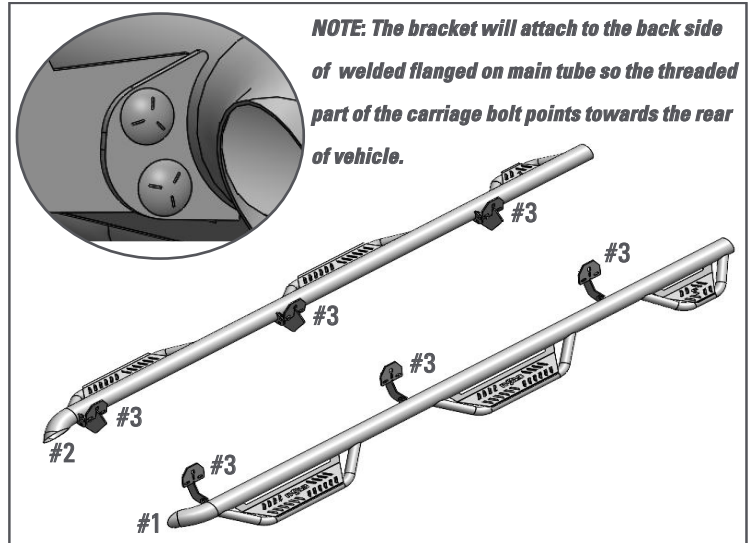
Tools for Installation:

- 9/16 socket
- 13mm socket
- 17mm socket
- Ratchet wrench

INSTALL

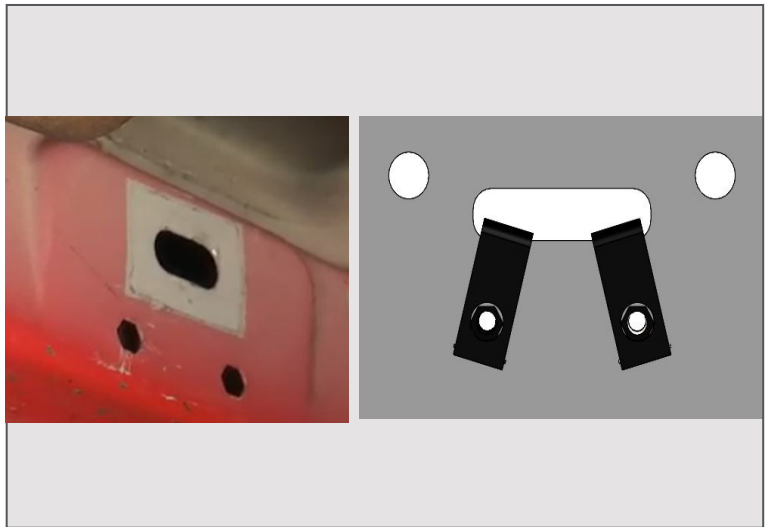
Step 1. Attach (#3)x3 mounting bracket to (#1) driver side step and loosely fasten using (#8)x6 3/8" carriage bolt and (#9) 3/8" flanged hex nut.

Step 2. Attach (#3)x3 mounting bracket to (#2) passenger side step and loosely fasten using (#8)x6 3/8" carriage bolt and (#9) 3/8" flanged hex nut.

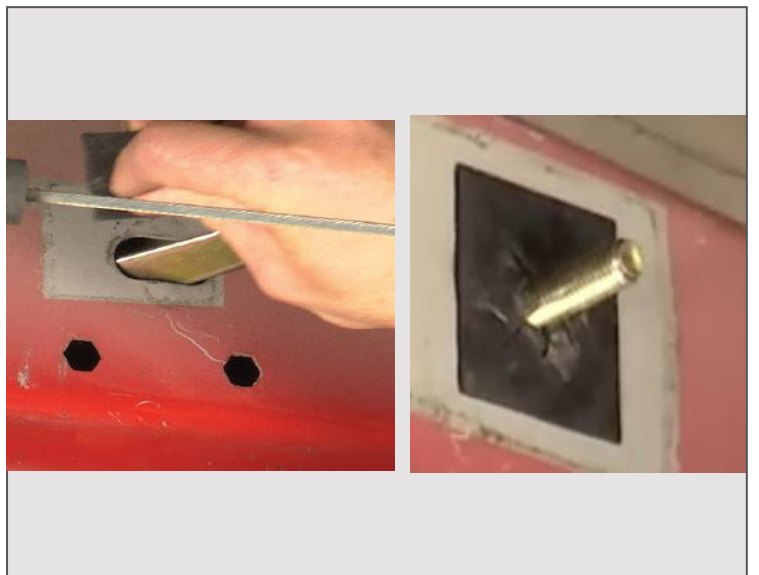


Step 3. Locate the (x3) mounting location underneath the vehicle on the back side of the pinch weld.

Step 4. Next, install the (#7)x6 M10 u-clip through the opening and align threaded part with the bottom (x2) holes as shown.



Step 5. Install the (#11)x3 M8 nut plate with (#12)x3 plastic retainer. To do this, first thread the plastic retainer mid way down the stud on the bolt plate. Slide base of bolt plate through large hole and rotate into place.



INSTALL

Step 6. Carefully raise (#1) driver side step assembly into place aligning the bracket with (x3) mounting location and loosely fasten using (#4)x6 M10 hex bolt, (#5)x6 M10 flat washers, (#6)x6 M10 lock washer and (#10)x3 M8 flanged nut.

Step 7. Begin tightening nuts & bolts in a alternating pattern. Avoid using power or air tools. Tighten to (20ft lbs) torque to secure the step to the truck. Tighten brackets at main tube to (30 ft/lbs).

Step 8. Repeat install procedures with (#2) passenger side step.

